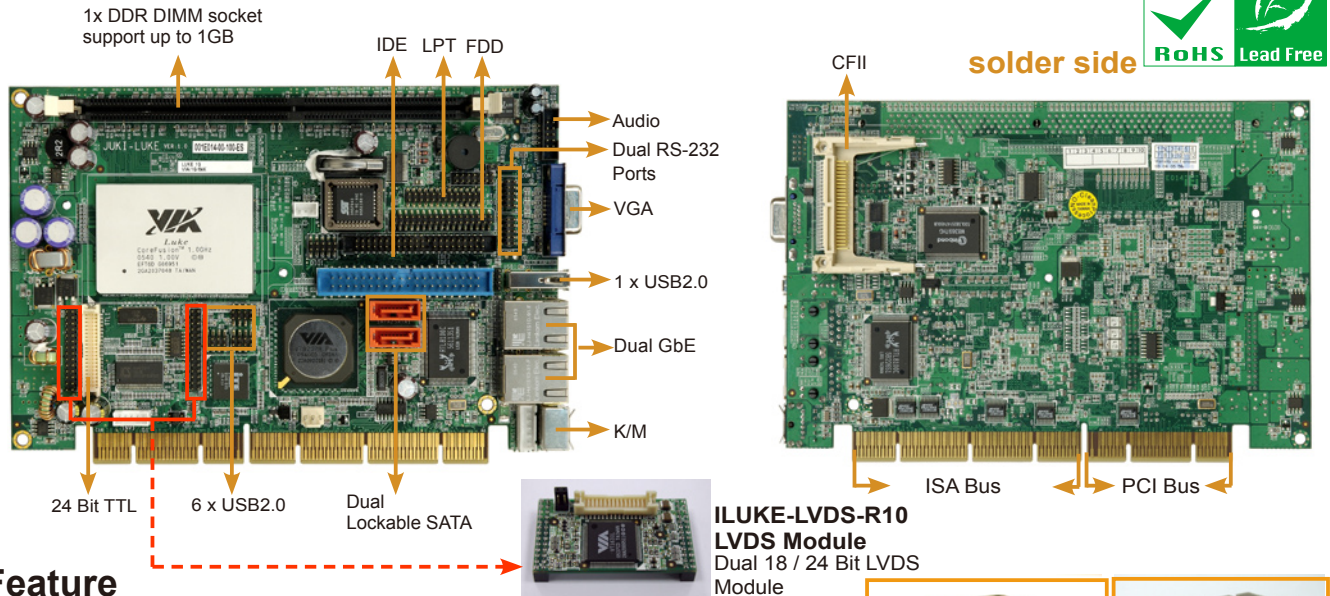


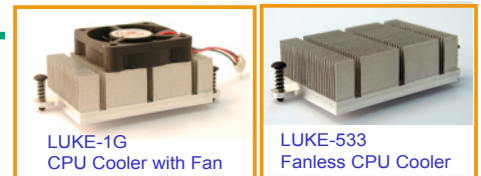
JUKI-LUKE

PCISA with VIA LUKE 1GHz / 533MHz processor, Audio, CRT, TTL LCD, and GbE



Feature

1. High Performance VIA Eden-N processor with CN400 core in one low power package, support DDR 333/400 memory to extend product efficiency.
2. Maximum Display Flexibility in VGA display mode and LVDS, TTL capability with dual display support.
3. Total function integrated with CPU, LAN, COM USB 2.0, ideal for device need numerous peripheral devices platform.
4. Complete RoHS Fanless system (LUKE-533) with RoHS chassis, Backplane, and Power Supply



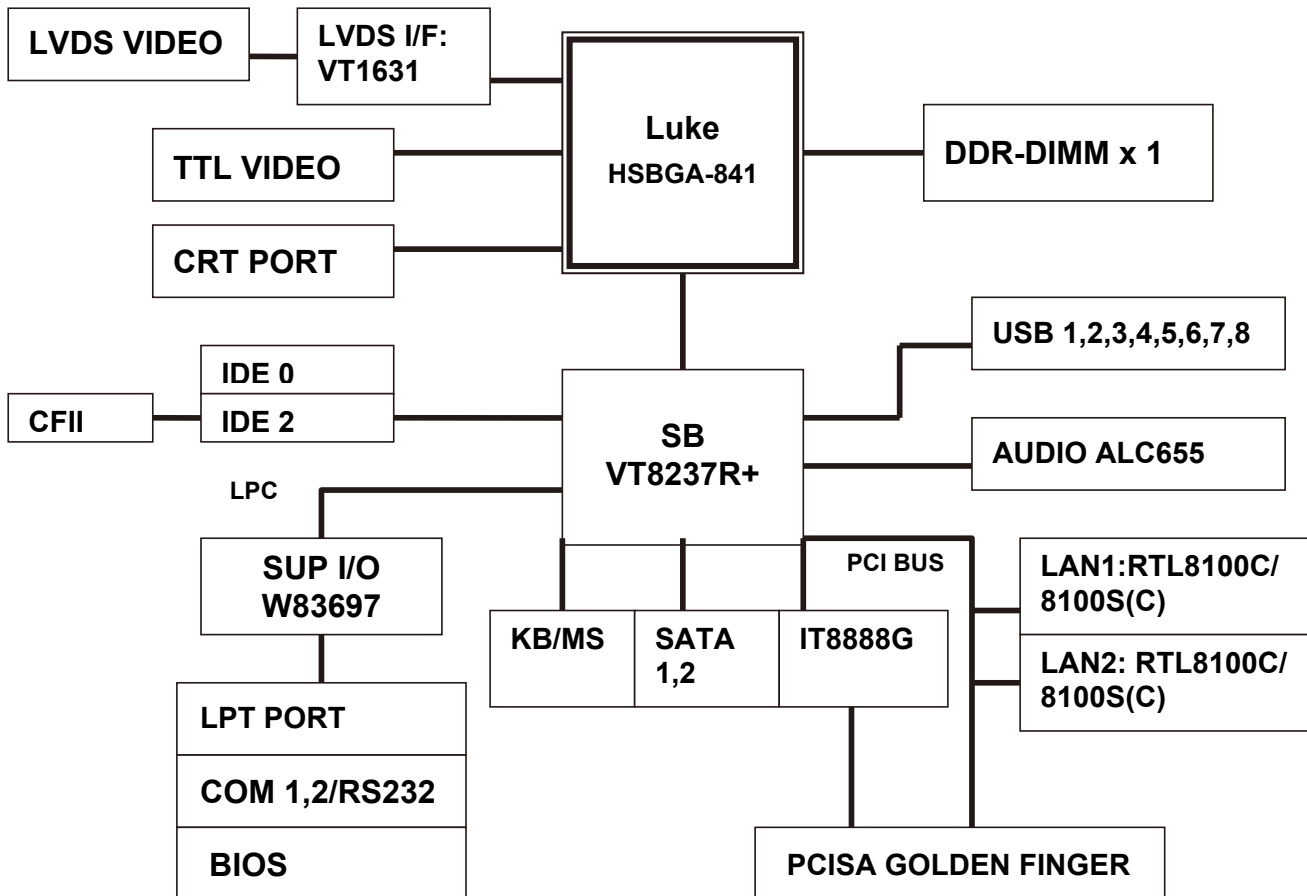
Specification

- ◆ **CPU**
VIA LUKE 1GHz/ 533MHz processor
- ◆ **System Chipset**
VT8237R+
- ◆ **BIOS**
AMI BIOS Label
- ◆ **System Memory**
1 x DDR 400/ 333MHz SDRAM up to 1GB
- ◆ **Ethernet**
RTL8110S GbE
- ◆ **I/O**
I/O Interface
 7 x USB 2.0
 2 x SATA
 1 x LPT
 1 x FDD
 2 x IDE
 1 x CFII
 2 x RS-232
 2 x PS/2 keyboard/ mouse
- ◆ **Digital I/O**
4 input / 4 output by supper I/O
- ◆ **Super I/O**
W83697HG
- ◆ **Audio**
AC'97 Codec Realtek ALC655
- ◆ **Display**
CRT
CRT integrated in VIA LUKE
TTL
24 bit TTL LCD integrated in VIA LUKE
LVDS
Dual 18 / 24 bit LVDS support by ILUKE-LVDS daughter board
- ◆ **Watchdog Timer**
Software programmable supports 1~255 sec. system reset
- ◆ **Power Supply**
+5V± 5%, AT/ ATX power support
- ◆ **Power Consumption**
5V@2A, 12V@0.073A, (LUKE-1G, 256MB/ DDR400 RAM)
- ◆ **Temperature**
operation: 0~60°C (32~140°F)
- ◆ **Humidity**
operation: 5%~95% non-condensing
- ◆ **Dimension**
165mm x 115 mm
- ◆ **Weight**
GW: 1.0Kg

RoHS Compliance

IEI is committed to compliance with all applicable laws and regulations, including the European Union Restriction of Hazardous Substances (RoHS) in electrical and electronic products. The goal is to exceed compliance obligations by meeting the requirements of the RoHS Directive on a worldwide basis. With IEI's new lead free production, all customers can start to work for their long term projects without worry about the RoHS regulation.

Function Block



Packing List

1 x JUKI-LUKE single board computer	1 x Keyboard/ PS2 mouse cable (P/N: 32000-000138-RS)
1 x Mini jumper pack	1 x USB cable (P/N: CB-USB02A-RS)
1 x IDE flat cable 40p/40p/40p (P/N: 32200-000052-RS)	1 x Audio cable (P/N: 32000-072101-RS)
2 x SATA cable (P/N: 32000-062800-RS)	1 x Utility CD
1 x SATA power cable (P/N: 32100-088600-RS)	1 x QIG
1 x RS232 cable (P/N: 32200-028401-RS)	

Ordering Information

Part No.	Description
JUKI-LUKE-533-R10	Half-size SBC VIA LUKE 533 MHz processor, CRT/LCD, GbE, SATA and Audio
JUKI-LUKE-1G-R10	Half-size SBC VIA LUKE 1.0 GHz processor, CRT/LCD, GbE, SATA and Audio
ILUKE-LVDS-R10	LUKE LVDS module with dual 18 / 24 bit channel LVDS support
32200-000058-RS	FDD cable
32200-015100-RS	LPT cable



Headquarters

IEI Technology Corp.
 TEL : +886-2-86916798 FAX : +886-2-66160028
 sales@ieiworld.com www.ieiworld.com
 No. 29, Jhongsing Rd., Sijhih City, Taipei County, 221, Taiwan

America-United States

IEI Technology USA Corp.
 TEL : +1-562-690-6677 FAX : +1-562-690-0898
 sales@usa.ieiworld.com www.usa.ieiworld.com
 515 N. Puente St., Brea, CA 92821

China

Armorlink SH Corp.
 TEL : +86-021-54429000 FAX : +86-021-54429100
 sales@ieiworld.com.cn www.ieiworld.com.cn
 No.515, Shenfu Road, Minhang District, Shanghai, China